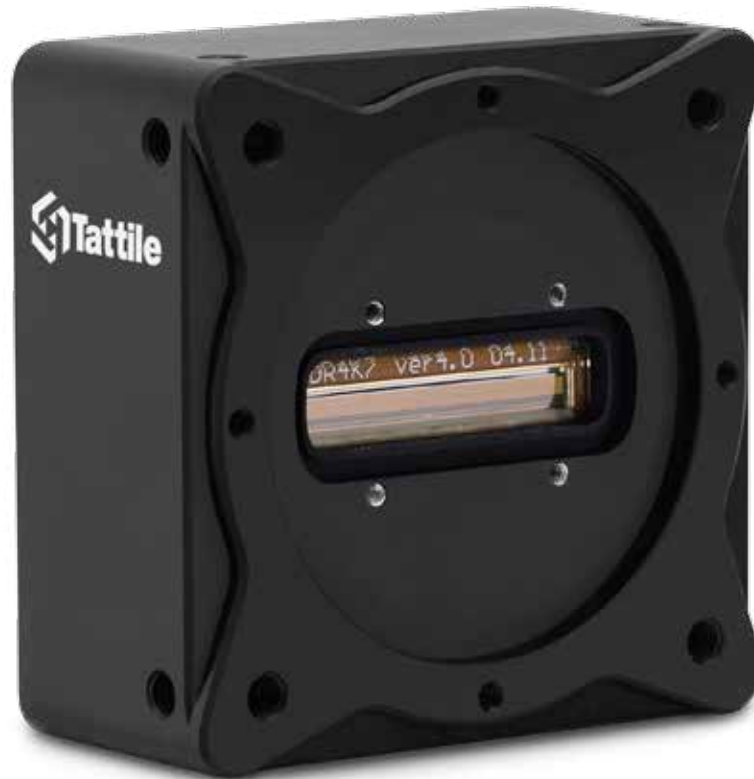


TAG-7 Series

CameraLink & GigE Vision Line Scan Camera



Linear CCD
and CMOS technology

Multiple resolutions
from 2K up to 8K,
mono and color

GigE Vision and
CameraLink protocols

Compact size
62x62x28,9 mm

High Speed: up to
80 KHz line rate

Internal FPGA for
image pre-processing

▼ TAG-7

The TAG-7 is the new-generation line scan camera platform for Industrial application.

Available with resolution of 2K, 4K and 8K, both monochromatic and color as well as GigE or CameraLink interface, the TAG-7 cameras are suitable for all vision applications

▼ FPGA

Thanks to Tattile's technology based on FPGA, this line scan camera can execute different preprocessing algorithm in real time

▼ Compact size

Its compact form allows easily integration into any machine and production line, especially for multi-camera systems.

▼ GigE Vision

Thanks to GigE Vision Interface, the camera can be easily integrate into a vision system, without using a framegrabber. TAG-7 GigE runs with a frame rate up to 49KHz

▼ CameraLink

TAG-7 CameraLink versions support all configurations (Base, Medium, Full and 80bit), with a Line Rate up to 80 KHz. PoCL (Power over CameraLink) functionality allows a quick and easy installation.



TAG-7 Series

CameraLink & GigE Vision Line Scan Camera



Technical Data

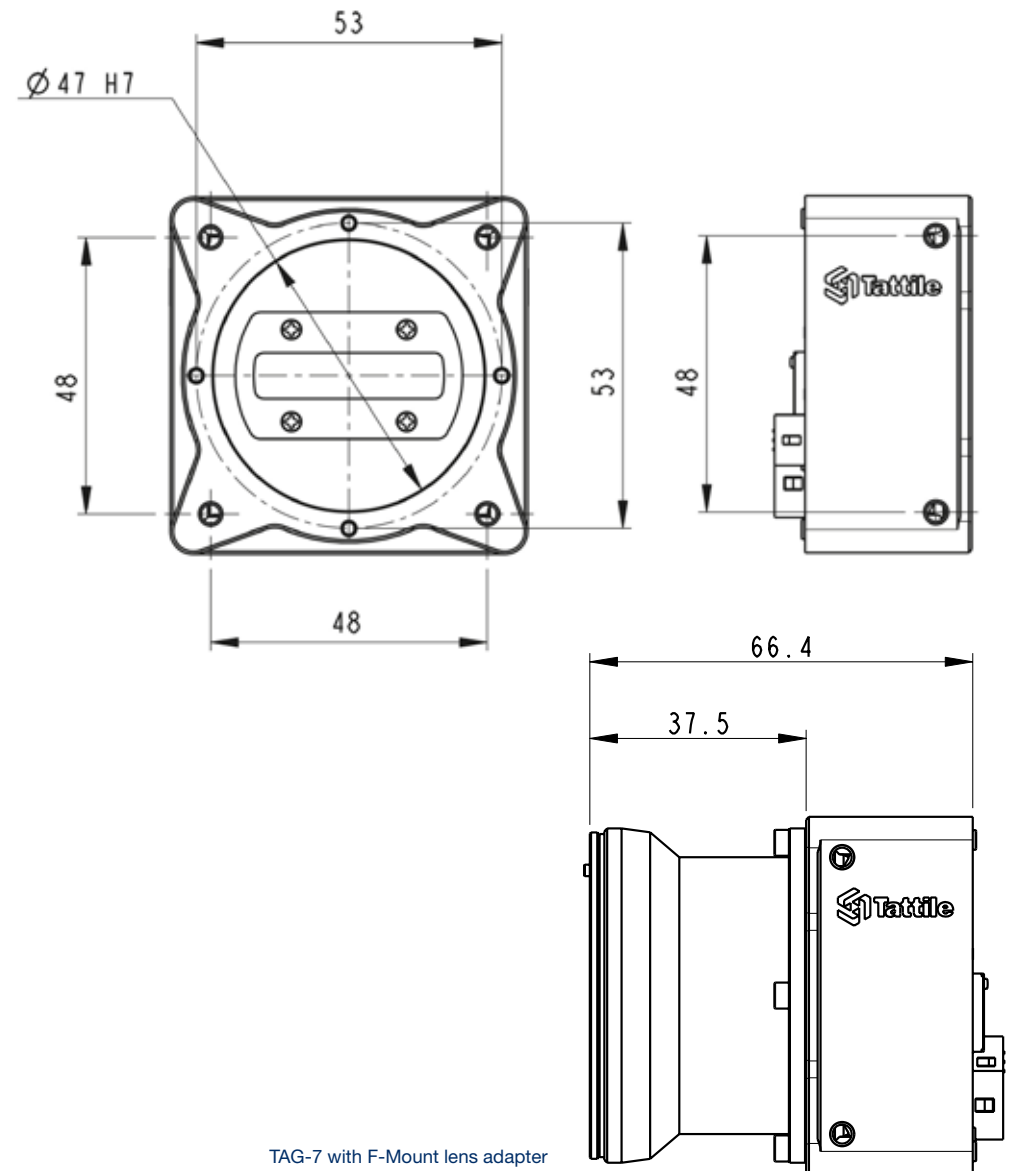
Model	Monochrome			Bilinear	
Resolution	2048	4096	8192	2x2048	2x4096
GigE Line Rate	49 KHz	24 KHz	12 KHz	24 KHz	12 KHz
CLink Line Rate	80 KHz			80 KHz	
Type	Mono			Color	
Sensor type	CMOS Awaiba			CMOS Awaiba	
Pixel size (µm)	7 x 7	7 x 7	3.5 x 3.5	7 x 7	7 x 7
Pixel Bit Depth	8 / 10 / 12 bit				
FPGA	Altera Cyclone IV 40K LEs				
Lens	F-mount, C-mount M42, M72 [*]				
Sync	External trigger / Free run				
Digital inputs	3 RS422 (only GigE version)				
Digital outputs	2 RS422 (only GigE version)				
Power supply	+12/24 VDC PoCL (only CameraLink version)				
Power consumption	3.6 W				
Dimensions	62x62x28.9				
Conformity	CE, RoHS				

[*] Available on demand

Part Numbers

TAG-7 Series - Camera Link - Part Number	
F01626	2048@80000 Mono
F01632	4096@80000 Mono
F01648	8192@80000 Mono
F01628	2x2048@80000 Color
F01634	2x4096@80000 Color
T19014	Adattatore 'F' Mount

TAG-7 Series - GigE Vision - Part Number	
F01625	2048@49000 Mono
F01631	4096@24000 Mono
F01647	8192@12000 Mono
F01627	2x2048@24000 Color
F01643	2x4096@12000 Color
T19014	Adattatore 'F' Mount



TAG-7 with F-Mount lens adapter